



Service

We are here for you!

Space accessibility for servicing is available in all models. This is due to the efficient technology of tilting cabs for essential service and repairs. Both the cabin and the platform can be opened hydraulically. Harvester with slope leveling on all machine models. Thanks to the generous space provided and the clear arrangement of all components, service or repair work can be carried out ergonomically, quickly and safely.

Neuson Forest GmbH
Freiling Str. 40, 4614 Marchtrenk, Austria
Tel. +43 (0) 7243/214 00-00
mail office@neuson-forest.com

No liability for printing errors.

Please see our T's & C's at: www.neuson-forest.com

Find us on Facebook: facebook.com/Neuson.Forest

Harvester with slope leveling



204HVT

The new 20t universal machine

Special application Grapple Saw



neuson
FOREST

Special Application Grapple Saw



The Grapple Saw allows operator to break down stems and crooked tops quickly and safely from the cab.

225 hp engine has plenty of hydraulic flow to operate quickly and handle larger logs as well as other high flow attachments.

Increased stability due to customized tracks and purpose build undercarriage.

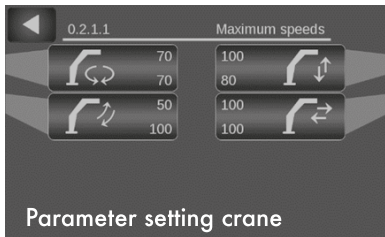
Easy to operate and powerful parallel boom.

**360°
Rotation**

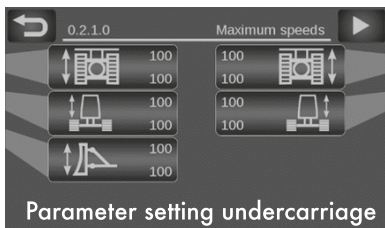


Intuitive Control

Everything at a glance
Everything under control



Parameter setting crane



Parameter setting undercarriage

Everything at a glance:
The main menu

Thanks to the electrical pilot control and the XCrane control from Technion, the machine is easily adaptable to the needs of the operator.

You can choose from 5 individually adjustable driver profiles.



Customized Track

From the swamp to the steep slope

Thanks to the various chain options, the machine can be adapted to your application in a very short time. And with the practical quick-changing bolt, the chain can be changed in no time.



Single Grouser

Perfect for steep slopes.
Available from 19'' - 23''



Double Grouser

The universal chain.
Available from 19'' - 27''



Rubber Pads

For street use.
Available from 19'' - 23''



Curved Triple Grouser

Especially for wet surfaces.
Available from 19'' - 31''

The interior of the 204HVT was redeveloped in an intensive design process. The first task was: Listening. Namely to the drivers who work with our machines on a daily basis.

Based on this knowledge, we not only designed a functional work place, but also a living space.

Ergonomic Space

Work place and Living space



Forestry cab design comes complete with 32mm polycarbonate protection windscreen from chain shot!

In this extreme environment comfort is not just a luxury, but a requirement:

Fatigue free seating and hand position. Unhindered view. Pleasant temperature and extensive protection from noise and vibrations.

And we went a step further by integrating a number of features that make life easier: Lots of intelligent storage space, a large cool box, a cup holder, mobile phone dock, USB ports and much more.

Easy Drive

Easy Handover



Perfectly Ergonomic:
A simple push of a button is enough to switch between foot and joystick control for the operation of the tracks.
No more tired legs when moving the machine long distances!

Purpose build dozer blade



Auto-Levelling

Automatic Balancing



15°

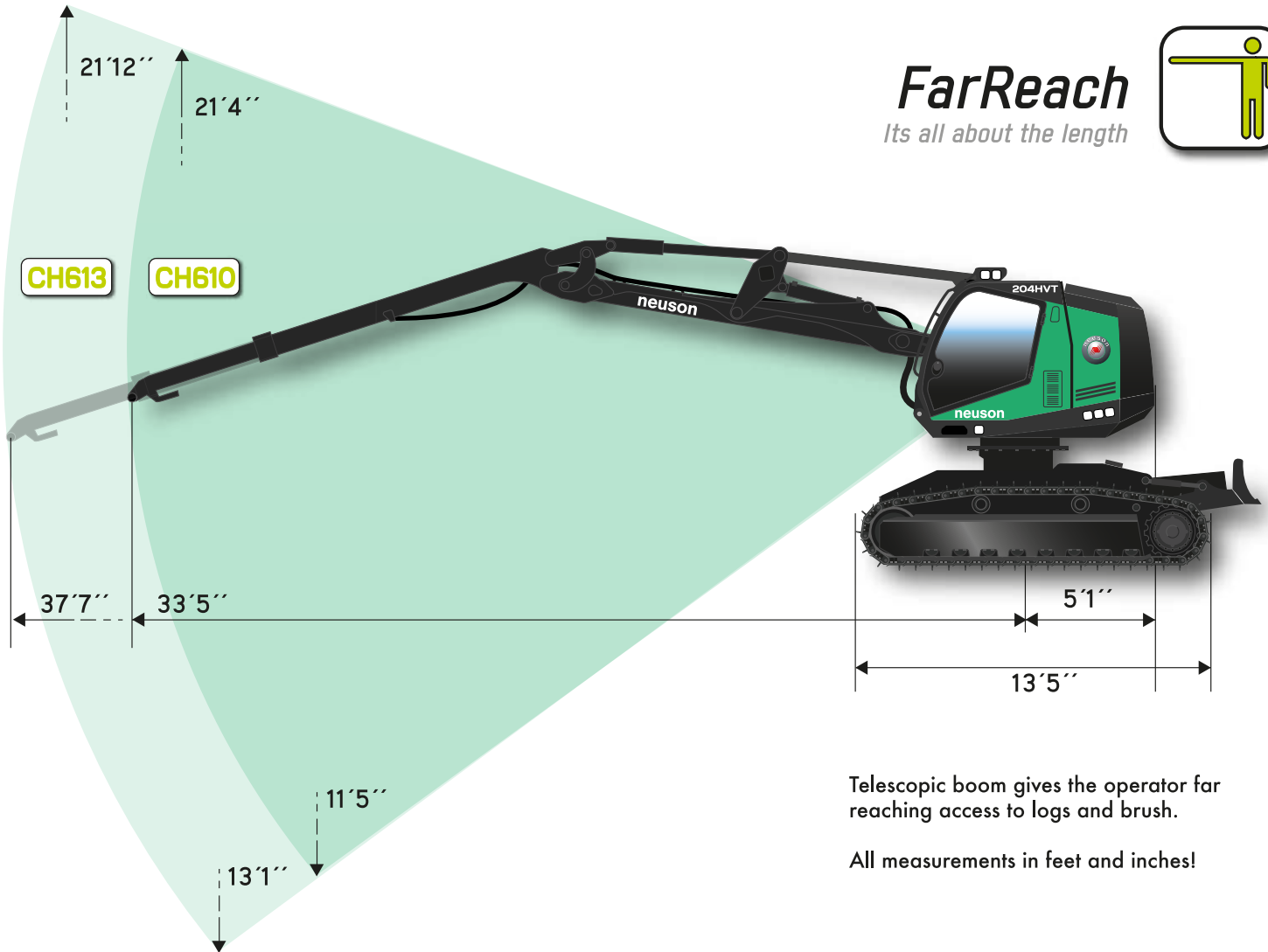
25°



The 204HVT is equipped with a proven superstructure levelling system (Tilt). A slope compensation of 25° at the front and +/- 15° at the side enables efficient work in steep and impassable terrain. With the auto-leveling option, the machine keeps its balance independently.

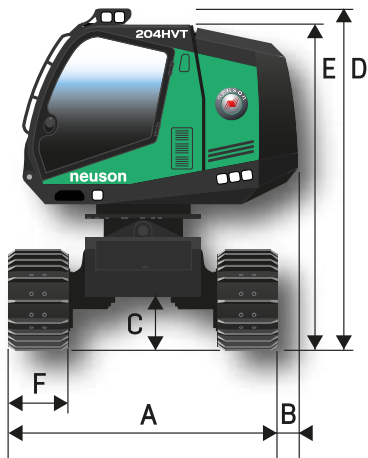
FarReach

Its all about the length



Telescopic boom gives the operator far reaching access to logs and brush.

All measurements in feet and inches!



Short Tail

Short and sweet

The minimal overhang of the tail allows maneuvering in narrow fields.

All measurements in feet and inches!

Two undercarriage options are available:

8'2"

8'2" undercarriage width and only 10'6" overall height for compact transport

A	8'2"
B	12"
C	20"
D	11'
E	10'6"
F	22"

8'11"

8'11" drive width and 10'10" total height for increased stability and ground clearance

A	8'11"
B	8"
C	24"
D	11'4"
E	10'10"
F	24"

Main Features

Slope compensation (Tilt): 25° at the front, +/- 15° to the side
 (Auto Levelling option) shortened tail swing radius
 Transport from 10'6" machine height
 Chassis speeds 1,3/2,7 mph
 Upper carriage speed max. 6.5 rpm, endless swivel range
 Dead weight 45.600 lbs
 Swing torque 43.6 kNm (32.100 lbs.ft.)
 Gradeability 30° (60%)

Crane

CH610 or CH 613 (Range: 33'5" or 37'7") possible heads:
 AFM 55, Waratah H424, Logmax 5000D
 Smart Tip Handling (Option):
 Technion X-Crane with intelligent crane tip control.

UnderCarriage

Standard chains: 22" as well as 24" single grouser
 8'2" or 8'11" drive width available
 Ground clearance max. 24"
 Ground pressure 6 lbf/in² or 8,5 lbf/in²* (*with 22" chain)
 Undercarriage traction 47,660 lbf

Motor

6 cylinder John Deere 6068 HI550 | 6.8 l | Turbo-Diesel
 Output 163 kW | 222 hp | 1800 rpm
 Emission Level EU StageV, EPA
 Tier 4f cooling: Coolant, air charge
 105 gal tank in undercarriage
 Alternator 24V | 100 A Battery 24V / 2 x 135 Ah

Hydraulics

Automatic, hydraulic reversible fan Axko-pump (13 gal/min)
 Delivery rate 105 gal/min | Operating pressure max. 4650 psi
 Hydraulic tank 39,6 gal
 Hydraulic filter: 2 return filters 20 µm, Option: 1 High pressure filter 10 µm

Made in Austria - Completely assembled and developed in Marchtrenk